

DunRite Playgrounds

SPEC SHEET: LCIDG11

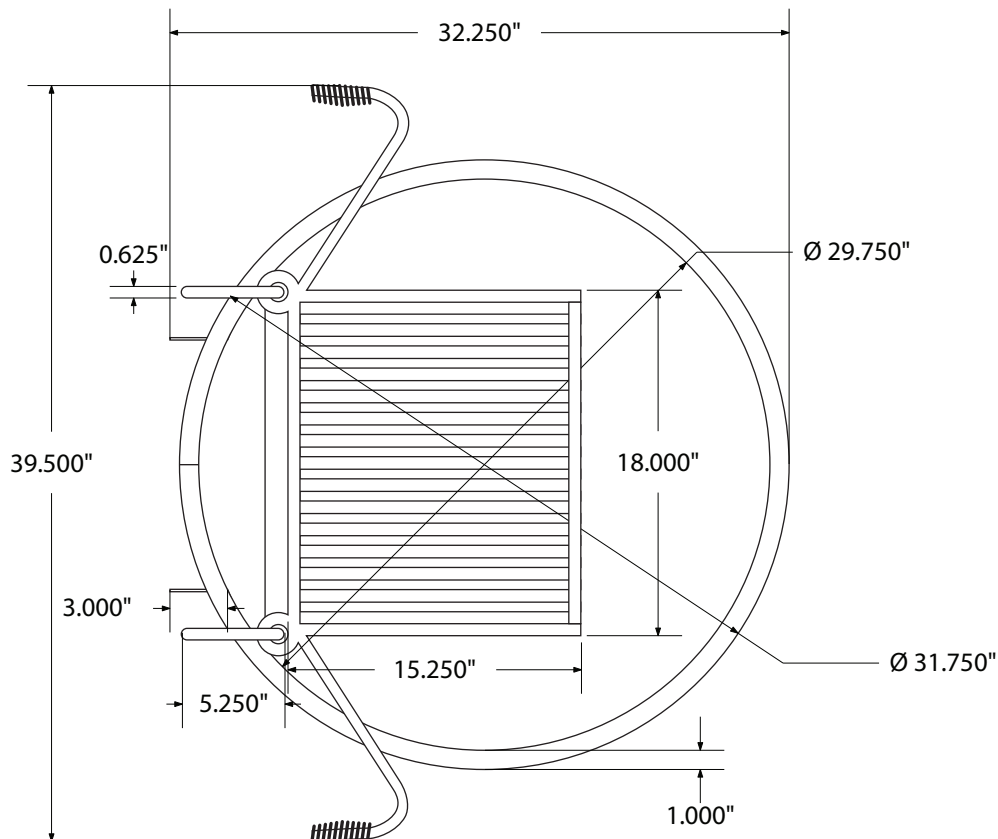
11³/₈" DROP GRATE FIRE RING

Wt. 91 lbs

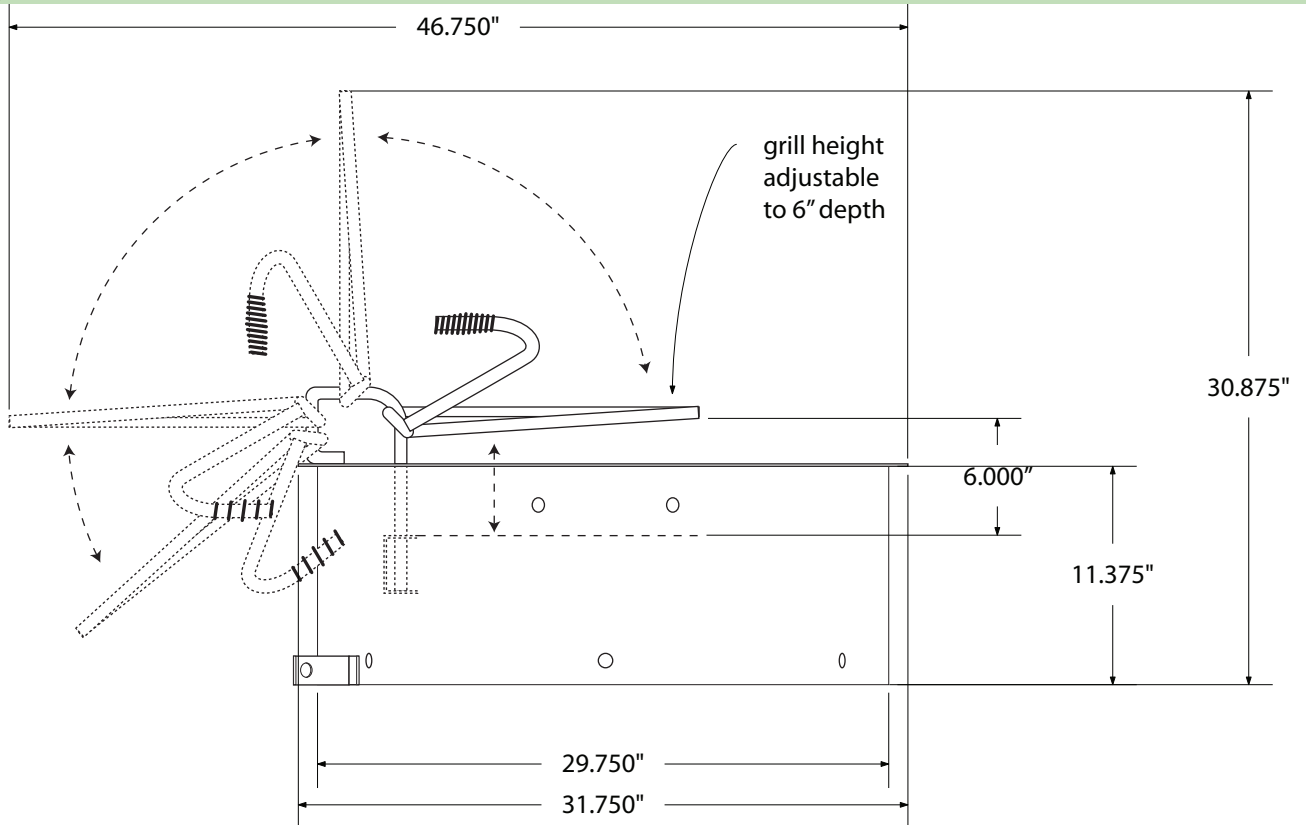
photo



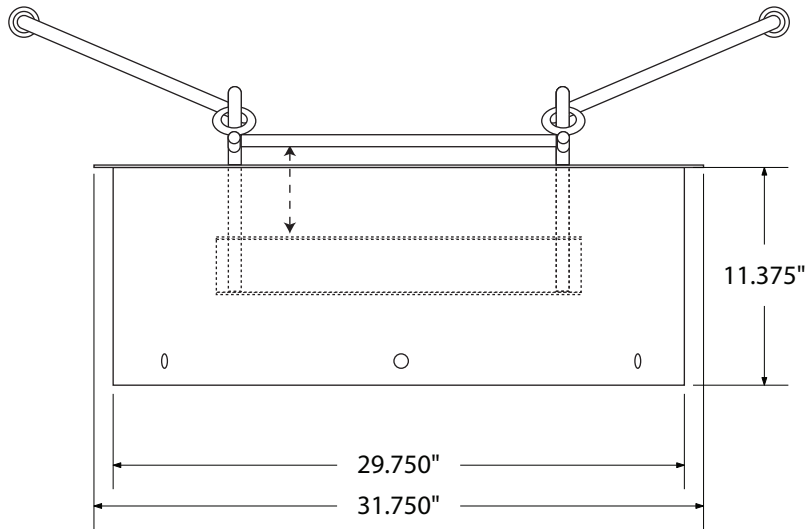
top view



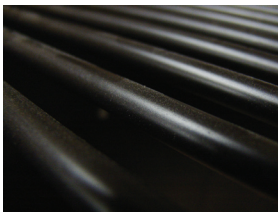
side view



front view



product details



Surface Coating:

- Black, high-temperature, non-toxic enamel



Construction:

- 3/16" Thick steel with a 1" flanged lip on the top edge
- Cooking area - 1/2" steel bars
- Grill handles/frame - 5/8" steel bars
- Grips - wire spring to dissipate heat
- 270 Square inches of cooking area
- 3/4" Anchor holes for tilt up or permanent mounting